

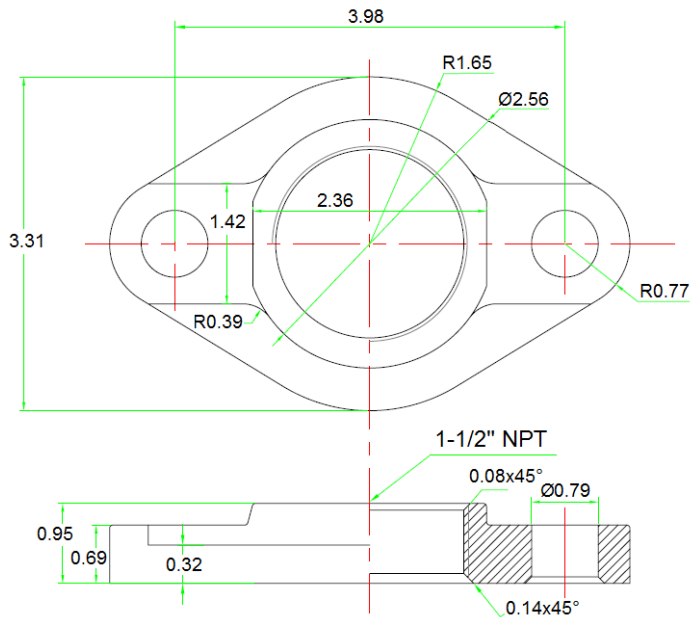
432 Cast Iron Meter Flange Kit • Spec Sheet



FEATURES & BENEFITS

- Cast Iron
- Oval
- IPS Only
- Sizes - 1-1/2" and 2"
- Each Kit Includes: 2 Flanges, 2 Gaskets, 4 Nuts and 4 Bolts

432T07P



432T08P

